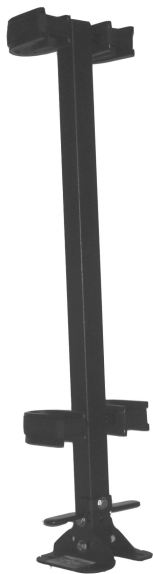




**Compact Floor Mount Permanent
Gun Holder
Mounting Instructions**



Read and follow all instructions before installation and use of your
Rugged Gear Floor-Mount Gun Holder

Part No. 10083

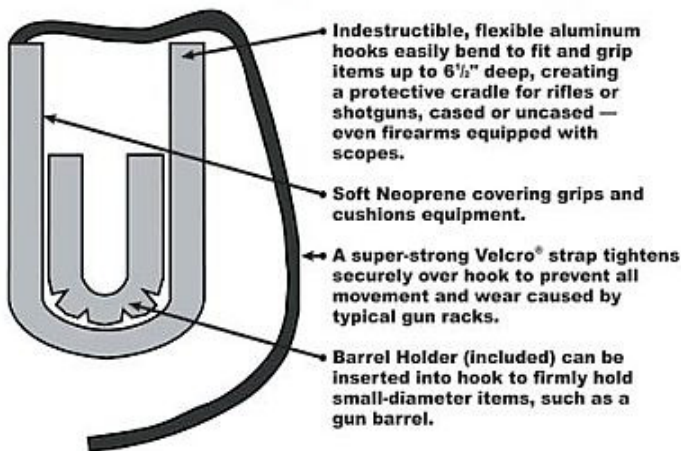
Patent No. 53440032

Follow all Federal, State and Local Laws and Regulations. Never put a loaded gun in a Rugged Gear Holder!

Rugged Gear Floor Mount Gun Holders are the absolute best gun holders you can buy to prevent movement of your equipment, thereby protecting guns from stock and bluing wear.

Made of powder-coated heavy-duty steel and stainless steel hardware for all weather conditions, the Floor-Mount securely holds one or two shotguns, rifles, or most rifles with scopes.

The Patented Rugged Gear Hook System



INSTALLATION — Before installing Floor Mount, make sure the location you choose allows clearance for the tallest items you intend to carry, and that floor area measures at least 6" x 6" for the base. (Note: Rugged Gear Floor Mount has 70 degrees of total angled movement.)

FLOOR MOUNT KIT INCLUDES:

- Square Tube with 4 holders
- Butt stock holder
- 4 Bolts, Nuts, and Washers for mounting Gun Holder to floor
- 3 5/16-18 UNC Hex Bolt
- 3 5/16-18 UNC Hex Nut Locking
- 6 5/16 FL Washers
- 2 Side Plates
- 2 Barrel Holders

FLOOR MOUNT GUN HOLDER ASSEMBLY

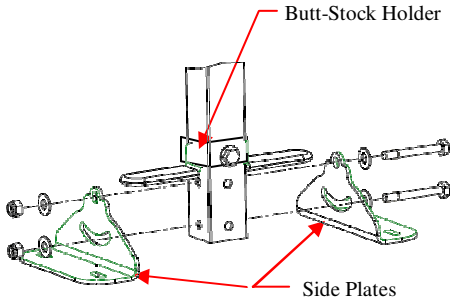


FIGURE 1

- Attach two side plates to gun holder using the 5/16-18UNC Hex Bolts, nuts, and washers. See Figure 1. Use the 5/16-18 UNC Hex Bolt, nut, and washer to secure Butt Stock Holder to outside of upper hole in square tube. See Figure 1.

MOUNTING METHOD:

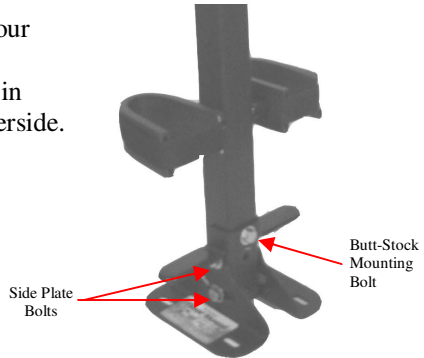
With included bolts, washers & nuts

- Using Floor Mount as a template, drill four 1/4" holes in floor.
- Insert four bolts through base into holes in floor; install washers and nuts from underside.
- **Tighten securely**

Adjusting Angle of Holder:

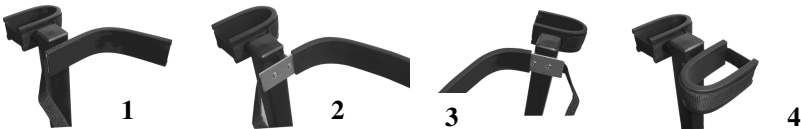
Loosen the two side plate bolts. Adjust Holder to desired angle; retighten side plate bolts.

Note: It may be necessary to loosen the butt-stock mounting bolt for wrench clearance.



ADJUSTABLE HOOK CONFIGURE CHANGES:

Your Rugged Gear Hook System can be changed to allow firearms to be mounted in opposite directions, if so desired, by removing hooks from one side and changing position 180°. See the following steps:



Straighten hook (1), pull back neoprene channel, remove two #8 Phillip's head screws (2), turn hook to opposite position (180°) and reattach with same screws (3). Push neoprene channel over screws and reform hook (4). Repeat process for bottom hook.

NORMAL OPERATION

- Pull back the Velcro® strap of each hook.
- If needed, insert Barrel Holder into the hook for securing the gun barrel.
- The hooks on the Holder can be bent and shaped to tightly fit whatever item is being put into them. For maximum holding protection, “overbend” each hook so that it is smaller than the item to be held, then force the item into the hooks.
- Squeeze hooks tightly against object and secure Velcro® straps.
- Verify that guns are held tightly and re-tighten if necessary.

EXTREME USE TIPS AND SUGGESTIONS:

If your gun holder is constantly exposed to sun, rain, or mud etc. or commercial use (e.g. hunting preserves). Rugged Gear recommends replacing the Velcro straps on an annual basis or sooner, if upon inspection of the Velcro it is showing signs of wear. Replacement Velcro kits are available from Rugged Gear Product No.10800 or complete Single Hook Assembly Product No. 10780.

Disclaimer: Buyer assumes all risk and liability for the installation and use of any Rugged Gear product. Buyer is responsible for regular inspection of the product and for providing necessary maintenance and/or repairs. Rugged Gear does not warrant this product if it has been altered, misused or abused in any way. Rugged Gear reserves the right to redesign or discontinue products at anytime without prior notice.

GUARANTEE

Rugged Gear Holders have a 60-day money-back guarantee. If you are not completely satisfied, return them for a full refund

ALSO AVAILABLE:

**Rugged Gear *Removable and Permanent* Floor Mount Holders
AND
Rugged Gear *Compact Removable* Floor Mount Holder**

To purchase additional Barrel holders or for more information on Rugged Gear shooting and handling equipment and accessories, contact:



**(800) 784-4331 or (605) 356-2491 · Fax (800) 784-3268
Elk Point, SD 57025-9702 U.S.A.
www.ruggedgear.com · e-mail: sales@ruggedgear.com**