



Single-Hook ATV-Mount Gun & Utility Holder

Mounting Instructions



Made in U.S.A.

**Read and follow all instructions before installation and using your
ATV-Mount Gun & Equipment Holder.**

Revised 7/01

Part No. 10105

Follow all Federal, State and Local Laws and Regulations.

Never put a loaded gun in a Rugged Gear Gun & Utility Holder!

The Single-Hook ATV-Mount Gun & Utility Holder is designed to be mounted on ATVs, motorcycles, and mountain bikes. The patented Rugged Gear adjustable hook system will hold and protect your rifle, shotgun, bow, soft-cased gun, fishing rod, shovel, level, tripod or other tools.

Flexible, aluminum hooks adjust to size, creating a protective cradle for your valuable equipment, and the Velcro® straps tightly secure whatever you put into the Holder. Add the unique Barrel Holder to firmly hold and prevent any movement of small-diameter items, such as a gun barrel or tool handle. Together the adjustable hook, the Barrel Holder, and the Velcro® strap eliminate the blueing and wear caused by typical gun racks.

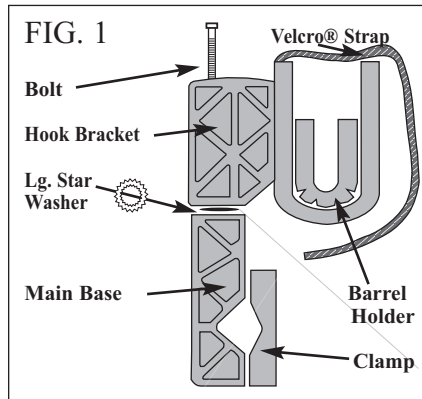
The flexibility of the top swivel allows the Holder to be mounted in almost any position: parallel to the driver, on the front or rear carrier, across either of the carrying racks, or on the handle bars.

ASSEMBLY AND INSTALLATION

• Remove all parts from the package.

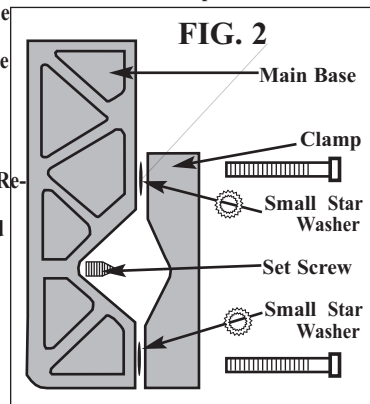
- Hook Brackets (2)
- Main Base (2)
- Clamp (2)
- Bolts, 1 1/2" (6)
- Small Star Washers (4)
- Large Star Washers (2)
- Barrel Holders (1)
- Allen Wrench (1)

- Insert Bolts through Hook Bracket. (FIGURE 1)
- Slide Large Star Washers over bolts.
- Attach each of the Hook Brackets to the Main Bases.
- Do not tighten bolts.



- Determine mounting location — the Rugged Gear ATV Holder will mount to nearly any round or square bar, at any desired position or angle.
- Measure length of shortest item to be held and length of scope, action or bow frame on item. Position mounts to allow for holding the shortest item as near its ends as possible, and outside of any scope, action or bow frame.

- Position Main Base and Clamp around bar on your ATV Holder. (FIGURE 2)
- Insert short bolts through Clamp into Main Base. Tighten loosely with allen wrench.
- A Set Screw is pre-installed in the Main Base. If the rack slips on the bar after the Clamp has been tightened, tighten the Set Screw from the top of the Main Base with a 1/8" allen wrench until the rack holds tightly.
- If the rack continues to slip, remove gun rack and drill 3/32" hole into the bar on your ATV rack at the point marked by the set screw on the bar. Re-install Main Base and Clamp on bar and tighten the Set Screw into drilled hole.



- Place item to be held in rack.
- Adjust angle & position of brackets.
- Tighten all bolts securely.

(Continued)

NORMAL OPERATION

- Pull back the Velcro® strap of each hook.
- If needed, insert Barrel Holder for securing the smaller parts of your guns, bows, fishing poles or tools.
- The aluminum hooks on the Holder can be bent and shaped to tightly fit whatever item is being put into them. For maximum holding protection, “over-bend” each hook so that it is smaller than the item to be held, and force the item into the hooks.
- Squeeze hooks tightly against object and secure Velcro® strap around hook and item.
- Verify that items are held tightly and re-tighten if necessary.

GUARANTEE

- Rugged Gear ATV Holders have a 60-day money-back guarantee. If you are not completely satisfied, return them for a full refund.

Additional Barrel Holders can be purchased ; call (800) 784-4331.



(800) RUGGED 1 • (800) 784-4331 • (605) 356-2491
Fax (800) 784-3268 or (605) 356-3135
Elk Point, SD 57025-9702 • U. S. A.

www.ruggedgear.com
Email: sales@ruggedgear.com