



**ATV/UTV Torch
Instructions
For Use**



Made in U.S.A.

Part No. 12500

Package Contents

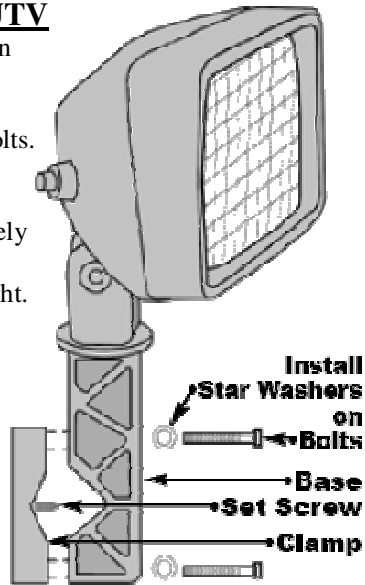
Light with Mount	(1)	Clamp	(1)
Set Screw	(1)	Allen Head Screws	(2)
Allen Wrench	(2)	Star Washers	(2)
Lighter Adapter	(1)	Wire Ends	(2)

Mounting Light to ATV/UTV

1. Determine mounting location on ATV or UTV.
2. Position light.
3. Put star washers on enclosed bolts.
4. Insert bolts through Base and Clamp.
5. Attach Clamp to Base and loosely attach.
6. Adjust angle and position of light.

Special Considerations

- If mounting bar is too small for Clamp to tighten completely, turn Clamp over and use the backside against the bar.
- If bar has a small diameter and Clamp has a tendency to turn, install enclosed Set Screw into bracket and tighten.
- If light still turns on bar, remove Clamp and drill a small hole at point marked by set-screw. Re-install and tighten the Set Screw.



Power Sources for the ATV/UTV Torch Light

Determine which of the power sources listed below is available on your ATV/UTV, then follow the appropriate instructions.

Be sure to route all wires so that they stay clear of any moving parts on the ATV/UTV. The coiled wire from the light can be easily wrapped around bars and frames to keep it securely out of the way. Wire ties should be used on all wires to insure they will not interfere with ATV/UTV operation.

Trailer-Light Plug-In

Plug the supplied trailer-light plug-in into the trailer-light adapter on the ATV/UTV. Whenever the lights of the ATV/UTV are on, the ATV/UTV Torch will be powered.

Cigarette-Lighter Plug-In

Plug the supplied trailer-light plug-in into the supplied cigarette-lighter adapter; plug this adapter into the cigarette lighter on the ATV/UTV. The ATV/UTV Torch will be powered whenever the ATV/UTV key switch is on.

Direct Battery Attach

Using wire cutters, cut the cigarette-lighter adapter plug off the lighter plug-in cord and strip back approximately 1/2" of insulation from the two wires. Attach the enclosed round wire terminals to the ends of the wires. Attach the two wires to the battery — the wire with the white writing on it goes to the negative battery terminal, and the all-black wire goes to the positive terminal. Plug the supplied trailer-light plug-in into the supplied lighter adapter that is now connected to the battery. The ATV/UTV Torch will be powered at all times.

Normal Operation of ATV/UTV Torch

Light may be easily aimed by turning the light mount.
Should light mount become loose, simply tighten mounting bolt.

Push water-tight switch on back of light to turn on and off.

Replacement Parts

Replacement bulbs are available at most auto parts stores or by contacting the manufacturer:

Guarantee:

Rugged Gear equipment has a 60-day money-back guarantee. If you are not completely satisfied, return them for a full refund.



(800) 784-4331 or (605) 356-2491 • Fax (800) 784-3268
Elk Point, SD 57025-9702 U.S.A.
www.ruggedgear.com • e-mail: sales@ruggedgear.com